

U31



U31 RECTIFIER

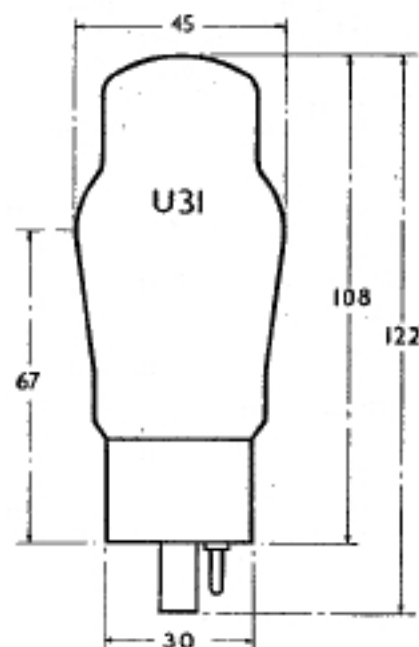
DESCRIPTION

Type U31 is a half-wave rectifier with indirectly heated cathode system. It is designed primarily for use in DC/AC receivers.

RATINGS

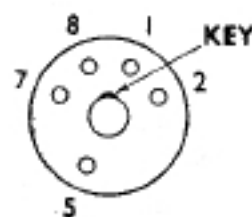
Heater Current	0.3	amp
Heater Voltage	26	approx. volts
Capacitor Input									
Single phase, half-wave									
Input Voltage	250	max. volts
Peak Inverse Voltage	700	max. volts
D.C. Output Current	120	max. mA
Peak Anode Current	750	max. mA
Anode Limiting Resistance	100	min. ohms
Reservoir Capacitor	32	μ F
Type of Switching	Direct	
Preheating Time	Nil	

DIMENSIONS



All dimensions are in mm.
and are the maximum except
where otherwise stated.

BASE



View looking on
underside of base.

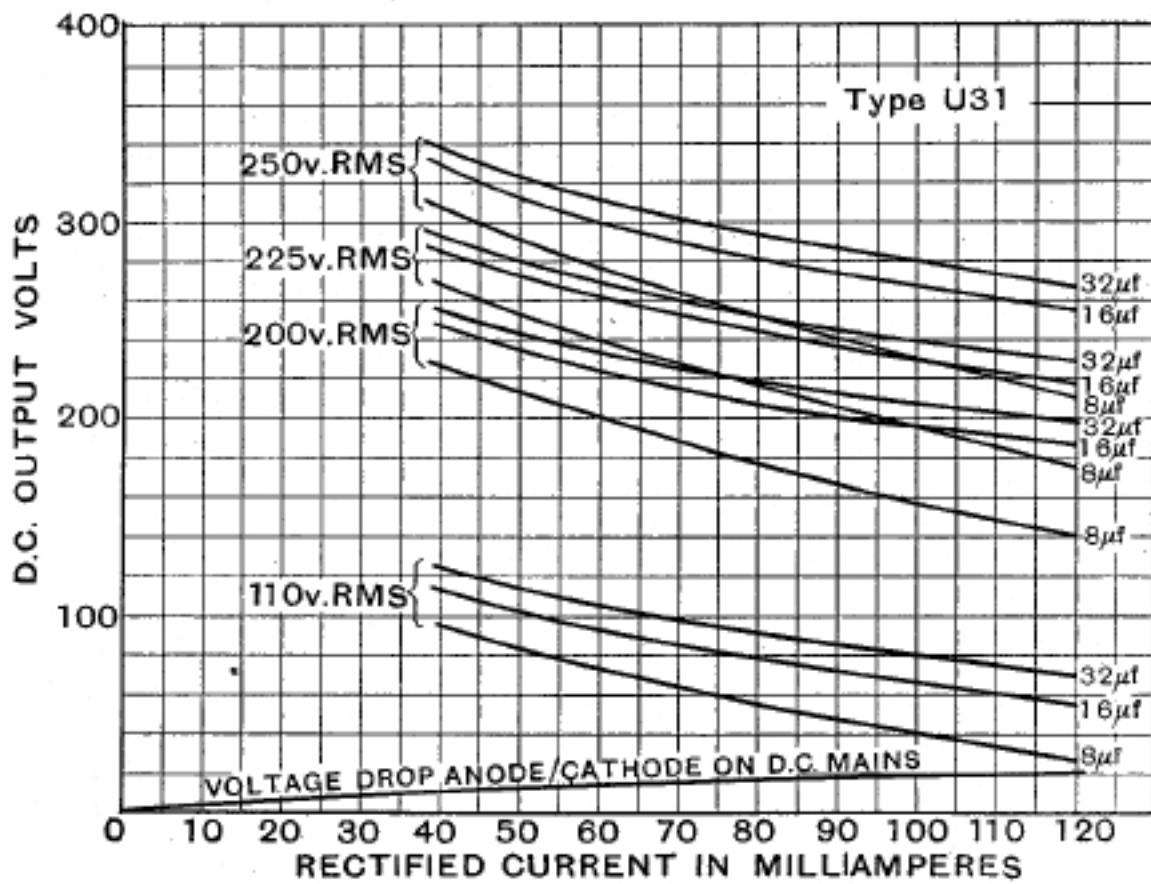
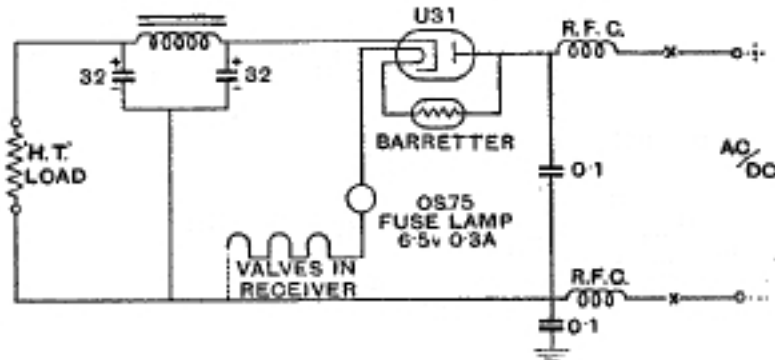
5-PIN OCTAL

- 1: Not connected
- 2: Filament
- 5: Anode
- 7: Filament
- 8: Cathode

OPERATING CONDITIONS

The heater of the U31 should be wired at the positive end of the series chain (assuming DC supply) between the dropping resistor or barretter and a pilot or fuse lamp as shown in diagram on the opposite page.

TYPE U31



CHARACTERISTIC CURVES OF AVERAGE VALVE